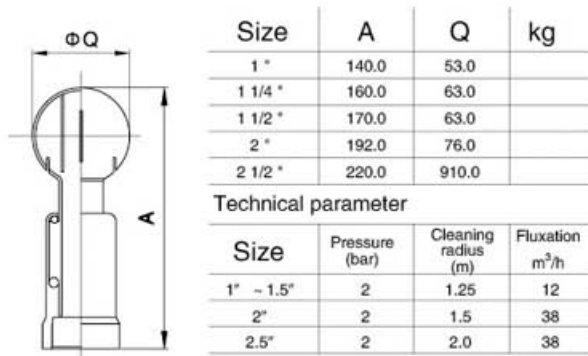
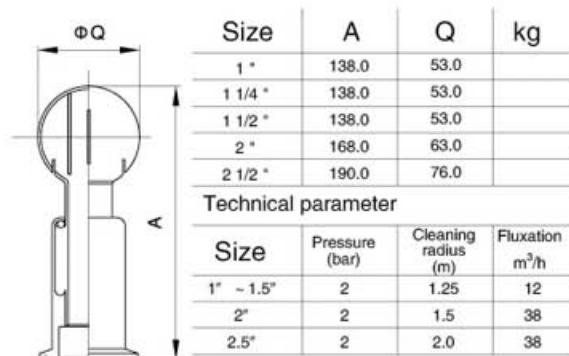


卫生级清洗球系列
Sanitary Cleaning Ball Series

螺纹式旋转式清洗球 Threaded Rotary cleaning ball
3163001

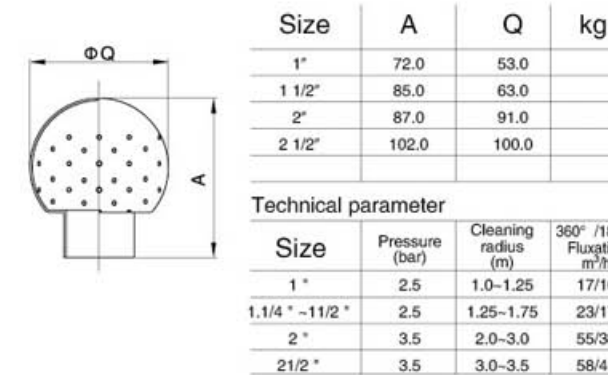


卡箍式旋转式清洗球 Clamped Rotary cleaning ball
3162004

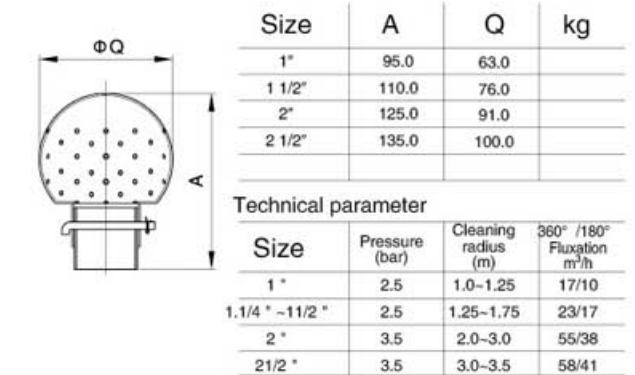


卫生级清洗球系列
Sanitary Cleaning Ball Series

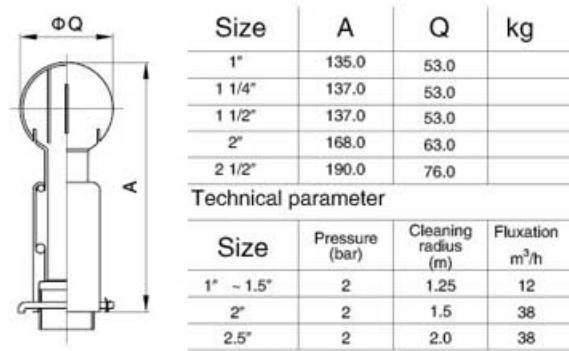
焊接式固定清洗球 Welded Fixed cleaning ball
3161007



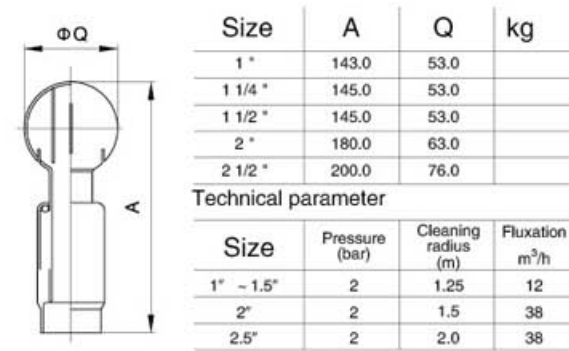
焊接式固定清洗球 Welded Fixed cleaning ball
3161008



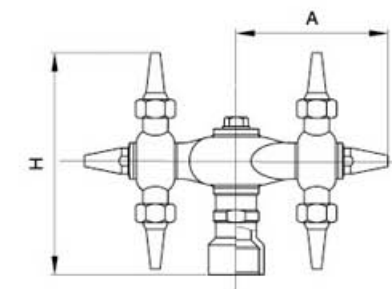
插销式旋转式清洗球 Bolted Rotary cleaning ball
3160002



焊接式旋转式清洗球 Welded Rotary cleaning ball
3161005



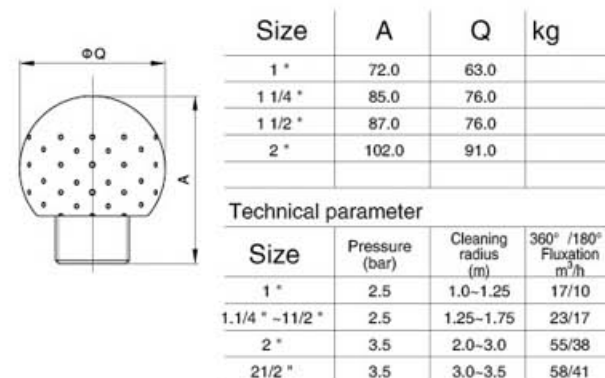
螺纹式旋转清洗器 Threaded Rotary cleaning ball
3163009



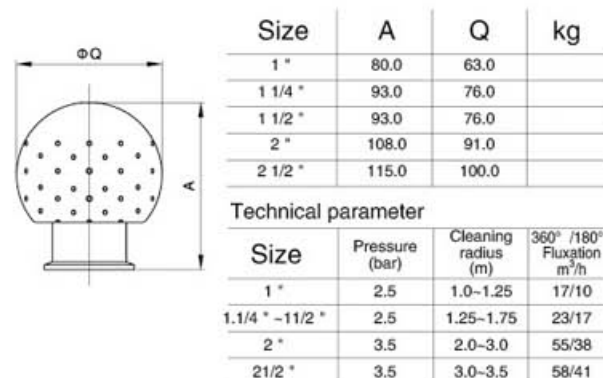
Technical parameter

Size	A	H	Pressure (bar)	Cleaning radius (m)	Fluxation m ³ /h	kg
1"	118.0	165.0	1.5-2.0	2.0-3.0	23	
1 1/2"	142.0	189.0	1.8-2.5	2.5-3.0	38	
2"	145.0	191.0	2.5-3.0	3.5-4.0	60	

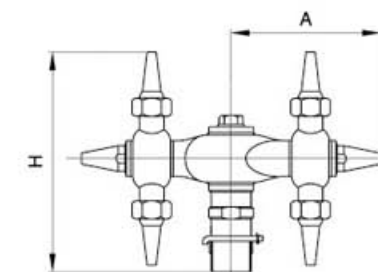
螺纹式固定清洗球 Threaded Fixed cleaning ball
3163003



卡箍式固定清洗球 Clamped Fixed cleaning ball
3162006



插销式旋转清洗器 Bolted Rotary cleaning ball
3160010



Technical parameter

Size	A	H	Pressure (bar)	Cleaning radius (m)	Fluxation m ³ /h	kg
1"	118.0	175.0	1.5-2.0	2.0-3.0	23	
1 1/2"	142.0	200.0	1.8-2.5	2.5-3.0	38	
2"	145.0	205.0	2.5-3.0	3.5-4.0	60	