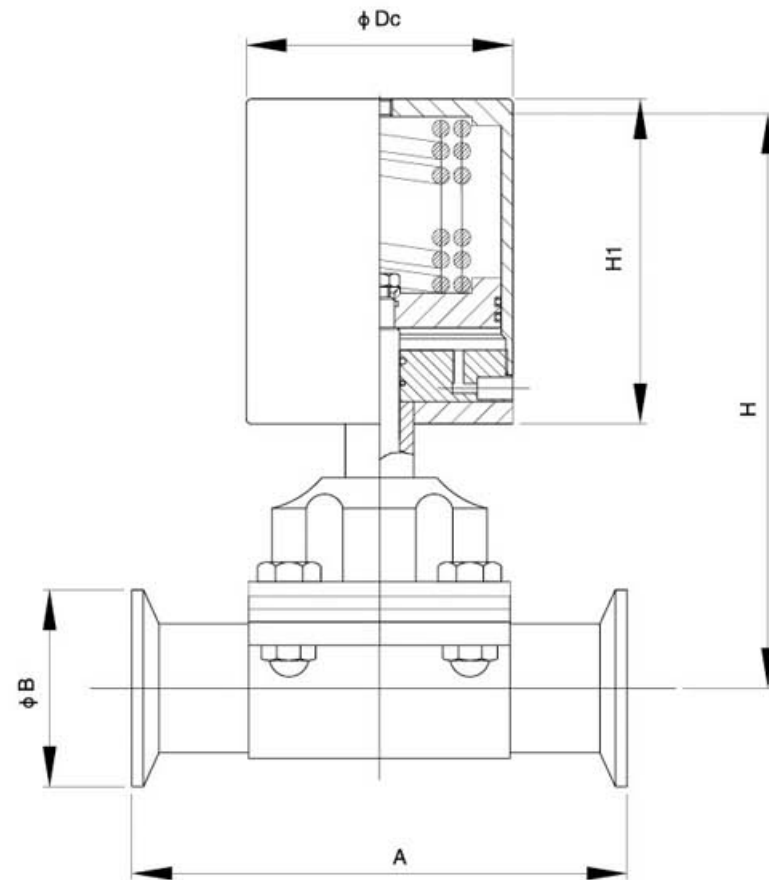


卫生级隔膜阀系列
Sanitary Diaphragm Valve Series



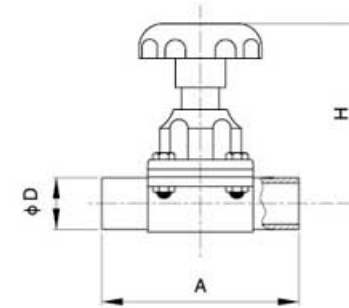
气动隔膜阀 3A
Pneumatic diaphragm valve

Size	A	B	H	H1	Dc
1/2"	107.0	25.4	156.3	98.0	63.5
3/4"	116.0	25.4	160.0	98.0	63.5
1"	125.0	50.5	176.0	98.0	63.5
1 1/2"	158.0	50.5	207.0	120.0	85.0
2"	190.0	64.0	213.4	120.0	85.0

★其它款式和其它标准请参照隔膜阀图
★Please refer to diaphragm valve drawing for other type and standard

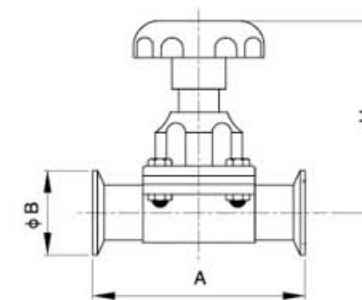
卫生级隔膜阀系列
Sanitary Diaphragm Valve Series

焊接式隔膜阀 Welded diaphragm valve
| DIN | 2061001



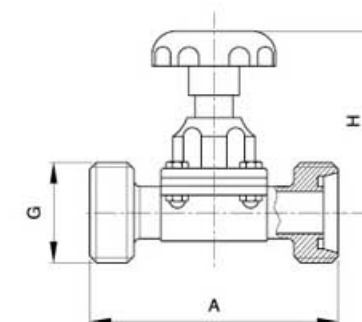
Size	A	D	H		kg
DN15	100.0	18.0	88/99		
DN25	125.0	28.0	110/123		
DN32	140.0	34.0	129/138		
DN40	150.0	40.0	139/159		
DN50	180.0	52.0	159/186		

卡箍式隔膜阀 Clamped diaphragm valve
| DIN | 2062002



Size	A	B	H		kg
DN15	107.0	34.0	88/99		
DN20	116.0	34.0	91/102		
DN25	125.0	50.5	110/123		
DN32	146.0	50.5	129/138		
DN40	158.0	50.5	139/159		
DN50	190.0	64.0	159/186		

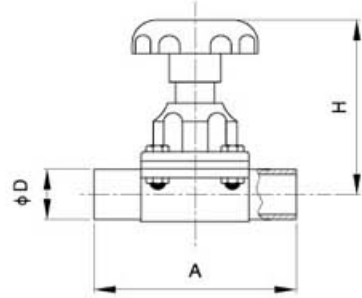
螺纹式隔膜阀 Threaded diaphragm valve
| DIN | 2063003



Size	A	G	H		kg
DN20	153.0	RD44 x 1/6	91/102		
DN25	165.0	RD52 x 1/6	110/123		
DN32	180.0	RD58 x 1/6	129/138		
DN40	190.0	RD65 x 1/6	139/159		
DN50	222.0	RD78 x 1/6	159/186		

卫生级隔膜阀系列
Sanitary Diaphragm Valve Series

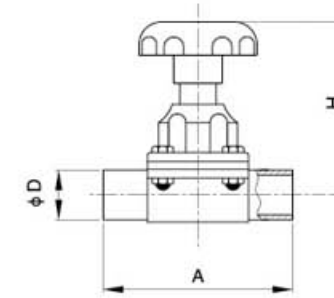
焊接式隔膜阀 Welded diaphragm valve
| SMS | 2061004



Size	A	D	H			kg
25	125.0	25.4	110/123			
32	140.0	31.8	129/138			
38	150.0	38.1	139/159			
51	180.0	50.8	159/186			

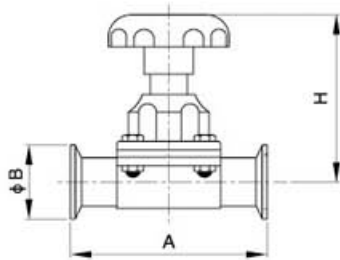
卫生级隔膜阀系列
Sanitary Diaphragm Valve Series

焊接式隔膜阀 Welded diaphragm valve
| 3A | 2061007



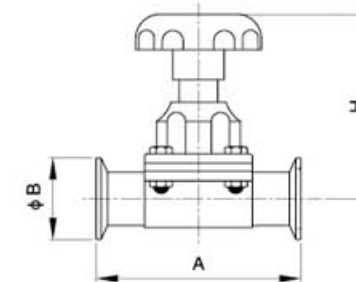
Size	A	D	H			kg
1/2"	100.0	12.7	88/99			
3/4"	100.0	19.0	88/99			
1"	125.0	25.4	110/123			
1 1/4"	140.0	31.8	129/138			
1 1/2"	150.0	38.1	139/159			
2"	180.0	50.8	159/186			

卡箍式隔膜阀 Clamped diaphragm valve
| SMS | 2062005



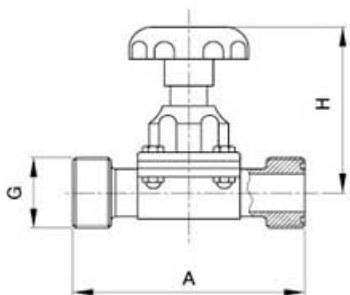
Size	A	B	H			kg
25	125.0	50.5	110/123			
32	146.0	50.5	129/138			
38	158.0	50.5	139/159			
51	190.0	64.0	159/186			

卡箍式隔膜阀 Clamped diaphragm valve
| 3A | 2062008



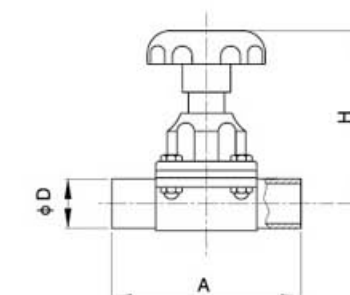
Size	A	B	H			kg
1/2"	107.0	25.4	88/99			
3/4"	116.0	25.4	91/102			
1"	125.0	50.5	110/123			
1 1/2"	158.0	50.5	139/159			
2"	190.0	64.0	159/186			

螺纹式隔膜阀 Threaded diaphragm valve
| SMS | 2063006



Size	A	B	H			kg
25	161.0	RD40 x 1/6	110/123			
32	176.0	RD48 x 1/6	129/138			
38	190.0	RD60 x 1/6	139/159			
51	220.0	RD70 x 1/6	159/186			

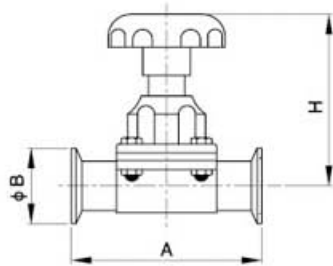
焊接式隔膜阀 Welded diaphragm valve
| ISO/IDF | 2061009



Size	A	D	H			kg
3/4"	100.0	19.0	88/99			
1"	125.0	25.4	110/123			
1 1/4"	140.0	31.8	129/138			
1 1/2"	150.0	38.1	139/159			
2"	180.0	50.8	159/186			

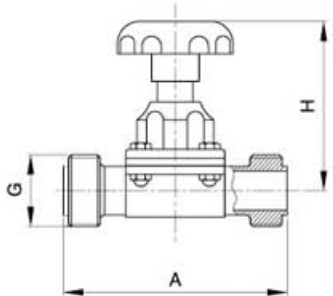
卫生级隔膜阀系列
Sanitary Diaphragm Valve Series

卡箍式隔膜阀 Clamped diaphragm valve
| ISO/IDF | 2062010



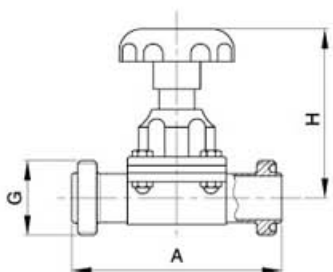
Size	A	B	H			kg
3/4"	116.0	25.4	88/99			
1"	125.0	50.5	110/123			
1 1/4"	146.0	50.5	129/138			
1 1/2"	158.0	50.5	139/159			
2"	190.0	64.0	159/186			

螺纹式隔膜阀 Threaded diaphragm valve
| ISO/IDF | 2063011



Size	A	G	H			kg
1"	168.0	37.1 × 8TACME	110/123			
1 1/2"	193.0	50.6 × 8TACME	139/159			
2"	223.0	64.2 × 8TACME	159/186			

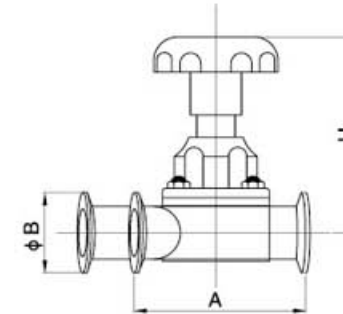
螺纹式隔膜阀 Threaded diaphragm valve
| RJT | 2063012



Size	A	G	H			kg
1"	179.0	45.7 × 1/8TWHIT	110/123			
1 1/2"	204.0	58.4 × 1/8TWHIT	139/159			
2"	234.0	72.7 × 1/6TWHIT	159/186			

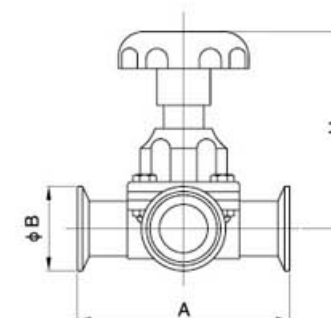
卫生级隔膜阀系列
Sanitary Diaphragm Valve Series

U型三通隔膜阀 U-type three-way diaphragm valve
| 2062013



Size	A	B	H			kg
1"	255.0	50.5	110/123			
1 1/4"	303.0	50.5	129/138			
1 1/2"	319.0	50.5	139/159			
2"	368.0	64.0	159/186			

三通隔膜阀 Three-way diaphragm valve
| 2062014



Size	A	B	H			kg
1"	129.0	50.5	110/123			
1 1/4"	147.0	50.5	129/138			
1 1/2"	159.0	50.5	139/159			
2"	190.0	64.0	159/186			