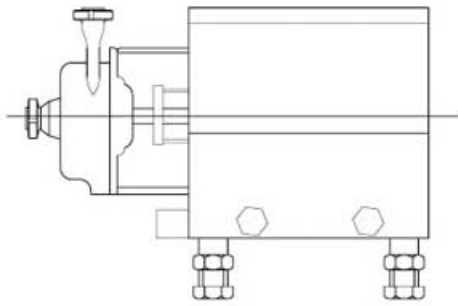


卫生泵系列
Sanitary Pump Series

卫生级离心泵 Sanitary centrifugal pump
3150001

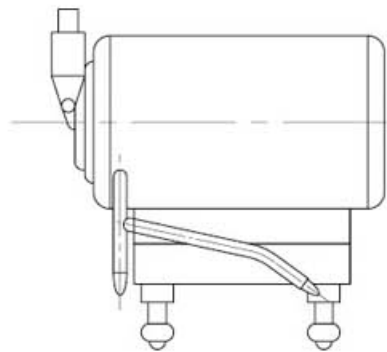
接口方式: 螺纹、焊接、卡箍
Connection: threaded, welded, clamped



型号 Model	数量吨/h Quantity ton/h	扬程(米/水柱) Lift (meter/ water column)	电动功率 Electric power	进出口 Entry/Exit	kg
DJ1.5-14	1.5	14	0.5	40/25	
DJ3-14	3	14	1.1	40/32	
DJ5-24	5	24	1.5	50/40	
DJ5-32	5	32	2.2	50/40	
DJ10-24	10	24	2.2	50/40	
DJ10-36	10	36	3	50/40	
DJ15-24	15	24	3	50	
DJ20-24	20	24	4	50	
DJ20-36	20	36	5.5	50	
DJ25-24	25	24	4	50/50	
DJ30-24	30	24	5.5	65/50	
DJ30-36	30	36	7.5	65/50	
DJ30-60	30	60	11	65/50	
DJ35-36	35	36	11	65/50	
DJ40-36	40	36	11	80/65	
DJ40-45	40	45	11	80/65	
DJ50-36	50	36	11	80/65	

卫生级自吸泵 Sanitary self-priming pump
3150002

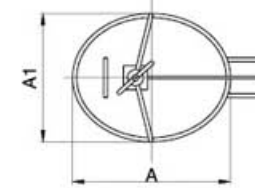
接口方式: 螺纹、焊接、卡箍
Connection: threaded, welded, clamped



性能 Performance		主要参数 Parameter
流量Q	Flux	10-20 m/h
总扬程H	Total lift	18-24 m
吸程	Sucked lift	5-6 m
叶轮轴径	Impeller wheel axle diameter	φ 189 mm
进出口管径	Entry/Exit diameter	φ 51 mm
功率	Power	4KW (380V.50HZ)
转速	Rotate speed	1420 r/min
外形尺寸(长×宽×高)	Size (Length*width*height)	600×350×420
机器重量	Weight	55kg

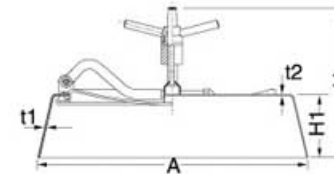
卫生级人孔盖系列
Sanitary Manhole Cover Series

椭圆人孔盖(压力型) Elliptic type manhole cover (with pressure)
3150003



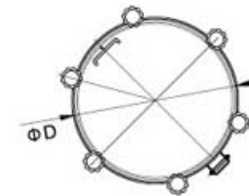
A	A1	高度(Height)	t	kg
430.0	330.0	75.0	8.0	
535.0	435.0	75.0	10.0	
635.0	525.0	75.0	12.0	

椭圆人孔盖(压力型) Elliptic type manhole cover (with pressure)
3150004



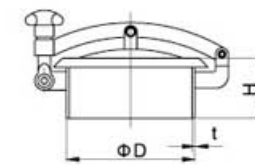
A大	A小	H1	H	t1	t2	kg
580.0	480.0	133.0	320.0	5.0	4.0	

圆型人孔盖(压力型) Circular type manhole cover (with pressure)
3150005



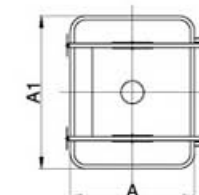
D	高度(Height)	t	kg
400.0	120.0	3.0	
430.0	120.0	3.0	
450.0	120.0	3.0	
500.0	120.0	3.0	
600.0	120.0	4.0	

圆型人孔盖(非压力型) Circular type manhole cover (without pressure)
3150006



D	H	t	kg
400.0	100.0	2.0	
430.0	100.0	2.5	
450.0	100.0	2.5	
500.0	100.0	3.0	
600.0	100.0	4.0	

长方型人孔盖(压力型) Square type manhole cover (with pressure)
3150007



A	A1	高度(Height)	t	kg
330.0	430.0	65.0	8.0	
435.0	512.0	100.0	10.0	